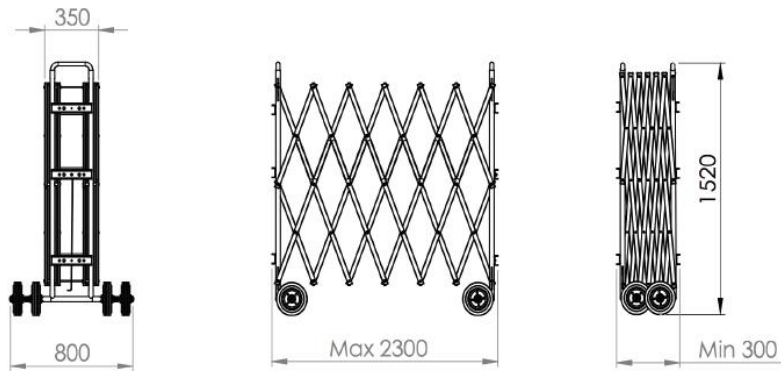


Scissor Gate

Specifications



Weight: 55kg

General Information & Safety Information

The Scissor gate is used to zone off areas quickly and with ease to protect site personnel and the public from potential dangers. It has a robust design and multiple Scissor gates can be securely joined by suitable fixings. It comes supplied with punctureless tyres to allow good mobility and easy movement across any terrain. The Scissor gate is no push over and can withstand strong lateral force enhancing work zone safety. The barrier extends to 2 metres and can retract for compact storage and simple transit.

The general public and operators should never attempt to climb over the barrier. It must be opened to allow access through the secured area at all times. Care must be taken when moving the barrier from storage to its intended usage position. It is intended that the unit is wheeled carefully into position.

A clean and firm surface is required at all times.

Current Health and Safety legislation requires that a risk assessment is completed and a safe method of work established prior to using this equipment. Suitable PPE such as safety shoes and gloves must be worn after carrying a site-specific risk assessment.

This equipment should be subjected to a visual inspection by a competent person prior to use.

All operators of this equipment must be fully trained and instructed in a safe method of working.

Never place any body parts in between the cross members. Care must be taken when using the linking connectors so fingers are not pinched or trapped.

ANY DAMAGE sustained must be notified to a competent person immediately. YOU MUST STOP USING THE EQUIPMENT until a full inspection has been completed and the equipment verified as safe to operate.

Moving the barrier

The barrier may be moved into position by lightly pushing and pulling the unit into position. On rough surfaces, the barrier may be tilted over so that only two wheels are in contact with the ground surface.

The barrier should be stored in closed position until it is required to be deployed.

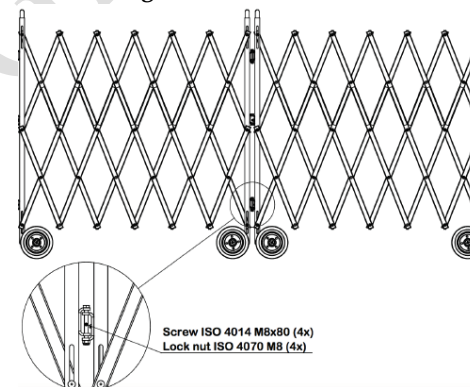
Opening the barrier

A light push on the second end plate at each end of the barrier will allow it to open. Care must be taken to ensure that the operator or any other person in the vicinity does not place body parts within the plates and the mechanism during deployment, as injury may occur.

Closing the barrier

Hold the barrier at the one end and gently pushed towards the other end. Keep hands, feet and arms away from the barrier as it is closed.

Interlocking the barrier



The barrier may be connected together to form a continuous length of barrier with the right accessory. Barriers must be moved by wheels to the position intended, formed into a straight line or at an angle (accessory required). Each barrier can then be deployed to the required length.

Storage & Maintenance

The barrier should be securely stored when not in use. All maintenance and check must be performed on a firm level surface.

Equipment should be subjected to an examination by a competent person before and after use. Inspect for deformation, cracks, breakage, security concerns or fractures.

This equipment must not be modified or dismantled