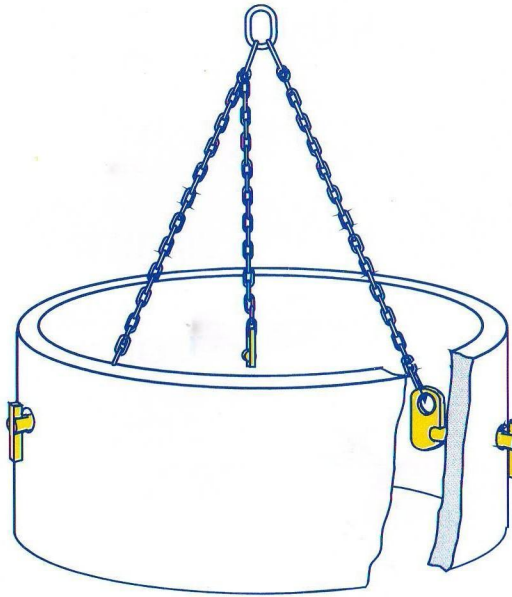


The Safe Way of Lifting Manhole Pipes



Lifting Pins have been proof loaded and are approved for use with sling angles between 0 and 60 degrees.

Lifting pins must not be used singly.

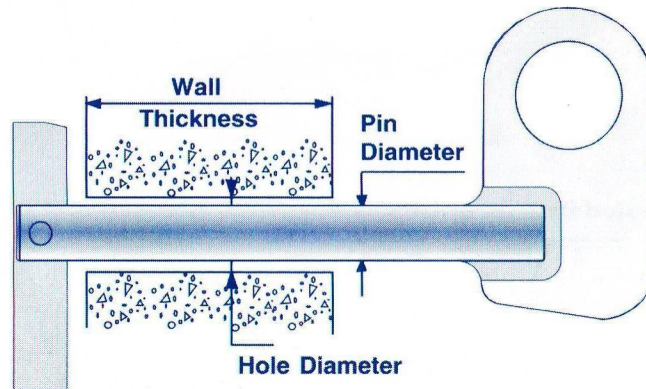
← LIFTING POSITION
(Rotate 180°
for quick
release).

QUICK RELEASE MANHOLE PIPE LIFTING PINS

- Speeds lifting operations
- Safe and simple
- Complete with Test Certificate
- No threads to protect or nuts to safeguard
- 4 Standard sizes to suit most manhole pipes
 - 25mm dia SWL 750 kg/pin
 - 32mm dia SWL 1000 kg/pin
 - 35mm dia SWL 1500 kg/pin
- Specials designed and made to order

Distributed By:

MARWOOD
GROUP LTD



Patent No. 2335646